

FSP2205-6P-PM-6100U

21.5" IP66 WATERPROOF STAINLESS STEEL PANEL PC

FEATURES

- 21.5" TFT LCD Panel PC with Resolution up to 1920 x 1080
- IP66/NEMA4X Waterproof, Stainless Steel Housing
- Built-in Intel Core i3-6100U Processor
- PCAP Touch Screen
- 1000nits/1500nits High Brightness for Sunlight Readable (Option)



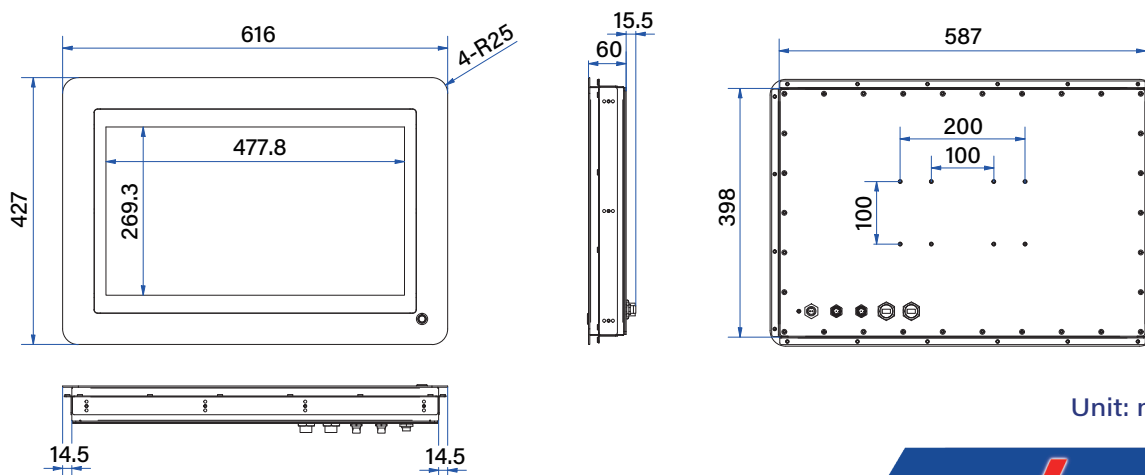
SPECIFICATION

Display	Size / Panel Type	21.5" TFT LCD Panel
	Resolution	1920 x 1080
	Brightness	350 cd/m ² (Option : 1000 / 1500 cd/m ²)
	Contrast Ratio	1000 : 1
	Response Time	22 ms
	Backlight	LED Backlight Unit
	Colors	16.7M Colors
	Viewing Angle	178° / 178°
Touch Screen	Touch Screen Type	PCAP Touch Screen
	Surface Hardness	7H
Environment	Operating Temperature	0°~+50°C
	Storage Temperature	-20°~+60°C
	Humidity	5%~90% RH (Non-Condensing)
	Waterproof Rating	IP66/NEMA4X , 6 Side Waterproof
System	Processor	Intel Core i3-6100U
	Memory (Option)	2 x DDR4 260-pin SO-DIMM 2133MHz, Up to 32GB
	Storage (Option)	1 x M.2 B-Key 2242/2280 (SATA) SSD
	Waterproof I/O Interface	USB x 2, LAN x 2, Power Input x 1
	Power Input	12~24VDC Input w/AC100~240V Power Adapter
	Power Consumption	60W
	Mounting	VESA 100 x 100 mm ; 200 x 100 mm
	Dimension / Weight	616mm (W) x 427mm (H) x 60mm (D)/16.5kgs

Specifications subject to change without notice

ACCESSORIES

- LAN Cable x 2
- Power Input Cable x 1
- AC/DC Power Adapter x 1



Unit: mm