

FSP2204-6P-J1900

21.5" IP66 WATERPROOF STAINLESS STEEL PANEL PC

FEATURES

- 21.5" TFT LCD Panel PC with Resolution up to 1920 x 1080
- IP66/NEMA4X Waterproof, Stainless Steel Housing
- Built-in Intel Celeron J1900 Processor
- PCAP Touch Screen
- 1000nits/1500nits High Brightness for Sunlight Readable (Option)



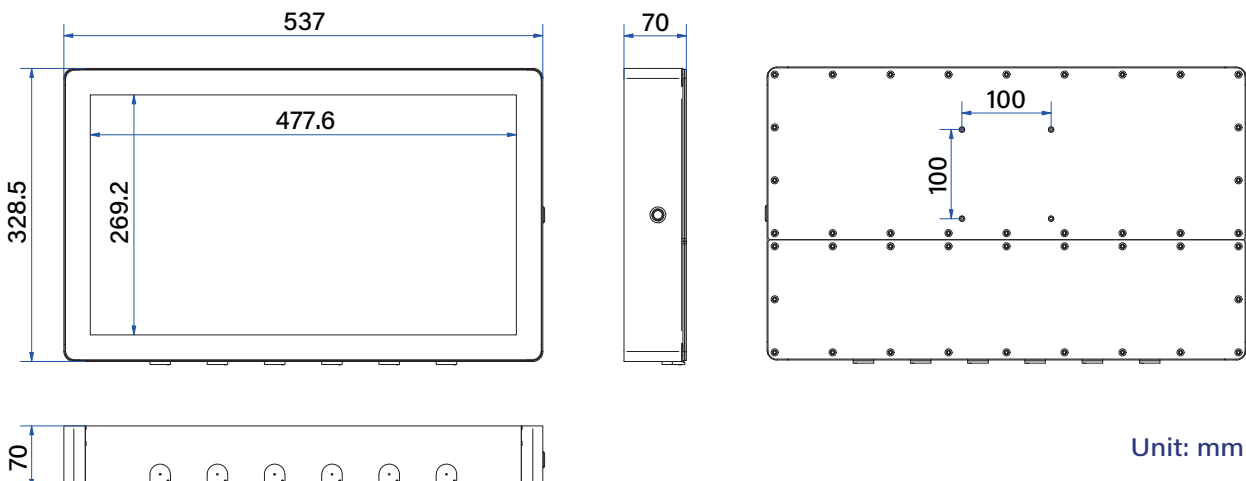
SPECIFICATION

| | | |
|--------------------|--|---|
| Display | Size / Panel Type | 21.5" TFT LCD Panel |
| | Resolution | 1920 x 1080 |
| | Brightness | 350 cd/m ² (Option : 1000 / 1500 cd/m ²) |
| | Contrast Ratio | 1000 : 1 |
| | Response Time | 22 ms |
| | Backlight | LED Backlight Unit |
| | Colors | 16.7M Colors |
| | Viewing Angle | 178° / 178° |
| Touch Screen | Touch Screen Type | PCAP Touch Screen |
| | Surface Hardness | 7H |
| Environment | Operating Temperature | 0°~+50°C |
| | Storage Temperature | -20°~+60°C |
| | Humidity | 5%~90% RH (Non-Condensing) |
| | Waterproof Rating | IP66/NEMA4X , 6 Side Waterproof |
| System | Processor | Intel Celeron J1900 |
| | Memory (Option) | 2 x DDR3L 204-pin SO-DIMM 1333MHz, Up to 8GB |
| | Storage (Option) | 1 x 2.5" SATA SSD |
| | I/O Interface | USB3.0 x 4, LAN x 2, VGA x 1, HDMI x 1, Mic-in x 1, Line-out x 1, DC in |
| | Power Input | 12VDC Input w/AC100~240V Power Adapter |
| | Power Consumption | 40W |
| | Mounting | VESA 100 x 100 mm |
| Dimension / Weight | 537mm (W) x 328.5mm (H) x 70mm (D)/11kgs | |

Specifications subject to change without notice

ACCESSORIES

- AC/DC Power Adapter x 1



Unit: mm