

FSP1568-6R-J1900

15" IP66 WATERPROOF STAINLESS STEEL PANEL PC

FEATURES

- 15" TFT LCD Panel PC with Resolution up to 1024 x 768
- IP66/NEMA4X Waterproof, Stainless Steel Housing
- Built-in Intel Celeron J1900 Processor
- Resistive Touch Screen
- 1000nits/1600nits High Brightness for Sunlight Readable (Option)



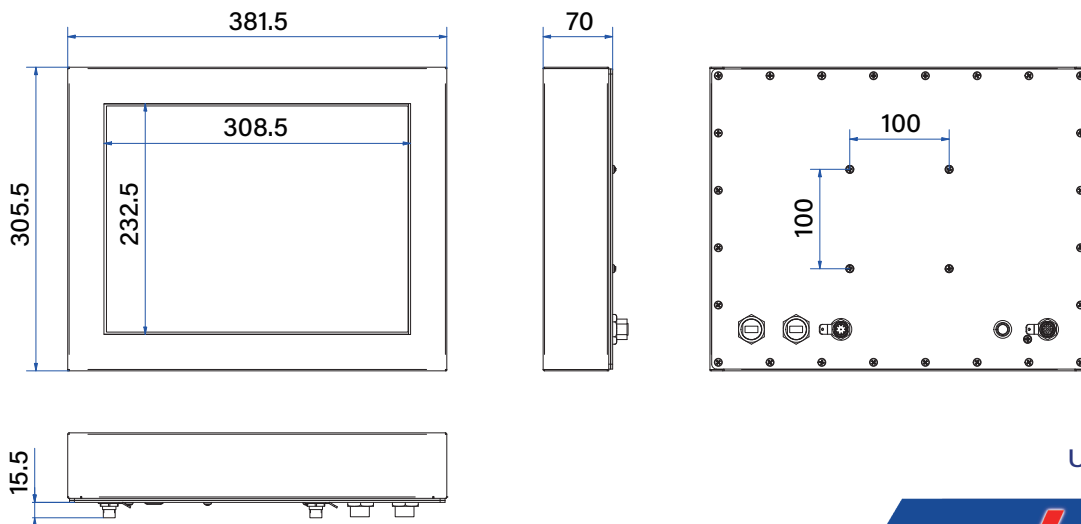
SPECIFICATION

| | | |
|--------------|--------------------------|---|
| Display | Size / Panel Type | 15" TFT LCD Panel |
| | Resolution | 1024 x 768 |
| | Brightness | 500 cd/m ² (Option : 1000 / 1600 cd/m ²) |
| | Contrast Ratio | 1000 : 1 |
| | Response Time | 25 ms |
| | Backlight | LED Backlight Unit |
| | Colors | 16.2M Colors |
| | Viewing Angle | 178° / 178° |
| Touch Screen | Touch Screen Type | Resistive Touch Screen |
| | Surface Hardness | 3H |
| Environment | Operating Temperature | 0°~+50°C |
| | Storage Temperature | -20°~+60°C |
| | Humidity | 10%~90% RH (Non-Condensing) |
| | Waterproof Rating | IP66/NEMA4X , 6 Side Waterproof |
| System | Processor | Intel Celeron J1900 |
| | Memory (Option) | 2 x DDR3L 204-pin SO-DIMM 1333MHz, Up to 8GB |
| | Storage (Option) | 1 x mSATA SSD |
| | Waterproof I/O Interface | USB x 2, LAN x 1, Power Input x 1 |
| | Power Input | 9~36VDC Input |
| | Power Consumption | 40W |
| | Mounting | VESA 100 x 100 mm |
| | Dimension / Weight | 381.5mm (W) x 305.5mm (H) x 70mm (D)/7.8kgs |

Specifications subject to change without notice

ACCESSORIES

- LAN Cable x 1
- Power Input Cable x 1



Unit: mm