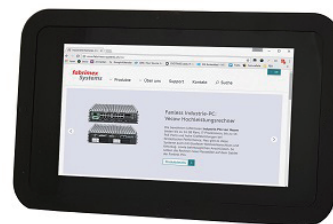


# FSP0701-P-ARM-POE

## 7" RASPBERRY PI PANEL PC

### FEATURES

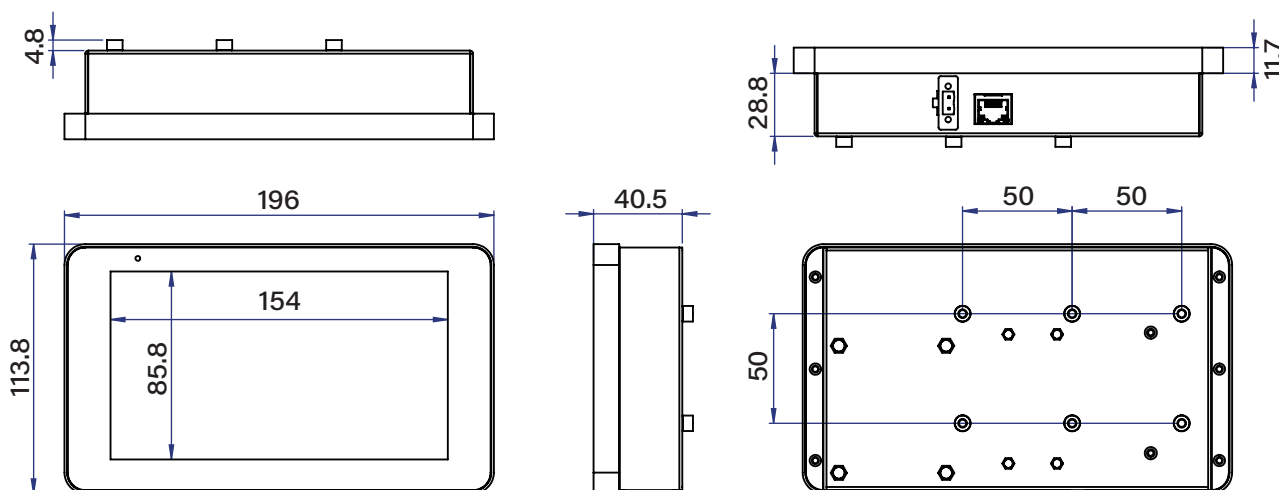
- 7" TFT LCD Panel PC with Resolution up to 800 x 480
- Resistive Touch Screen
- Raspberry Pi 3 B+ w/ Cortex-A53 Processor
- Raspberry Pi 4 B w/ Cortex-A72 Processor (Option)



### SPECIFICATION

Display	Size / Panel Type	7" TFT LCD Panel
	Resolution	800 x 480
	Brightness	250 cd/m <sup>2</sup>
	Contrast Ratio	500 : 1
	Response Time	20 ms
	Backlight	LED Backlight Unit
	Colors	16.2M Colors
	Viewing Angle	140° / 130°
Touch Screen	Touch Screen Type	PCAP Touch Screen
	Surface Hardness	7H
Environment	Operating Temperature	0°~+50°C
	Storage Temperature	-10°~+60°C
	Humidity	10%~90% RH (Non-Condensing)
System	Processor	Pi 3 B+ w/ ARM Cortex-A53 Processor (Option: Pi 4 B w/ ARM Cortex-A72 Processor)
	Memory (Option)	Pi 3 B+ w/ 1GB LPDDR2 (Option: Pi 4 B w/ 2GB/4GB/8GB LPDDR4)
	Storage (Option)	1 x Micro-SD Card Slot
	Power Input	24VDC Input w/ 2 Pin Terminal Block, POE (36~57VDC)
	Power Consumption	10W
	Mounting	VESA 50 x 50 mm
	Dimension / Weight	196mm (W) x 113.8mm (H) x 40.5mm (D)/1kgs

Specifications subject to change without notice



Unit: mm