

FSP3202-5P-6100U

31.5" INDUSTRIAL PANEL PC

FEATURES

- 31.5" TFT LCD Panel PC with Resolution up to 1920 x 1080
- IP65 Front Bezel Waterproof
- Built-in Intel Core i3-6100U Processor
- True Flat PCAP Touch Screen
- 1500nits/2500nits High Brightness for Sunlight Readable (Option)



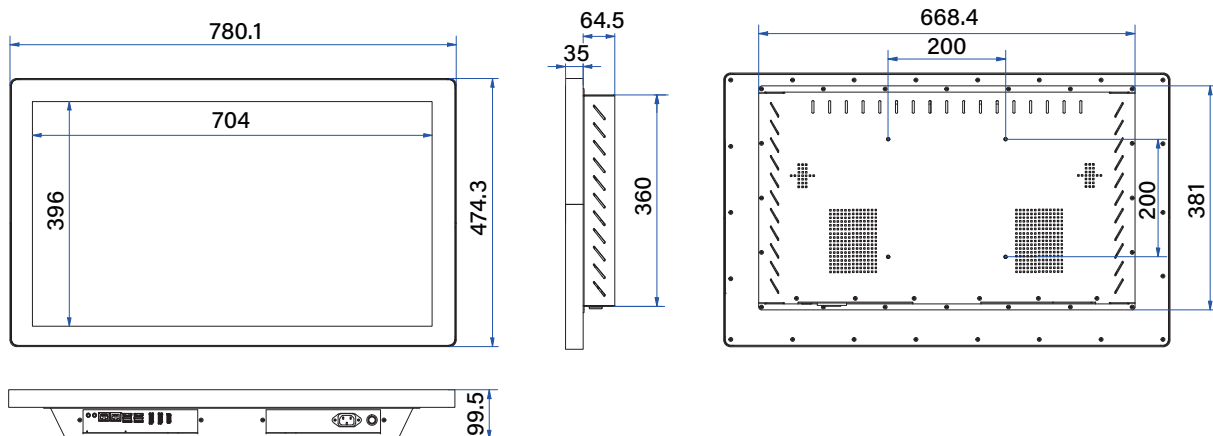
SPECIFICATION

Display	Size / Panel Type	31.5 TFT LCD Panel
	Resolution	1920 x 1080
	Brightness	500 cd/m ² (Option : 1500 / 2500 cd/m ²)
	Contrast Ratio	3000 : 1
	Response Time	8 ms
	Backlight	LED Backlight Unit
	Colors	16.7M Colors
	Viewing Angle	178° / 178°
Touch Screen	Touch Screen Type	PCAP Touch Screen
	Surface Hardness	7H
Environment	Operating Temperature	0°~+50°C
	Storage Temperature	-20°~+60°C
	Humidity	10%~90% RH (Non-Condensing)
	Waterproof Rating	IP65 Front Bezel Waterproof
System	Processor	Intel Core i3-6100U
	Memory (Option)	2 x DDR4 260-pin SO-DIMM 2133MHz, Up to 32GB
	Storage (Option)	1 x M.2 B-Key 2242/2280 (SATA) SSD
	I/O Interface	USB3.0 x 4, LAN x 2, HDMI x 1, DisplayPort x 2, Mic-in x 1, Line-out x 1, AC Inlet x 1
	Power Input	AC100~240V Input
	Power Consumption	90W
	Mounting	VESA 200 x 200 mm
	Dimension / Weight	780.1mm (W) x 474.3mm (H) x 99.5mm (D)/21kgs

Specifications subject to change without notice

ACCESSORIES

- Power Cord x 1



Unit: mm