

FSP1603-5P-PM-8145UE

15.6" INDUSTRIAL PANEL PC

FEATURES

- 15.6" TFT LCD Panel PC with Resolution up to 1920 x 1080
- IP65 Front Bezel Waterproof
- Built-in Intel Core i3-8145UE Processor
- True Flat PCAP Touch Screen
- 1000nits/1800nits High Brightness for Sunlight Readable (Option)



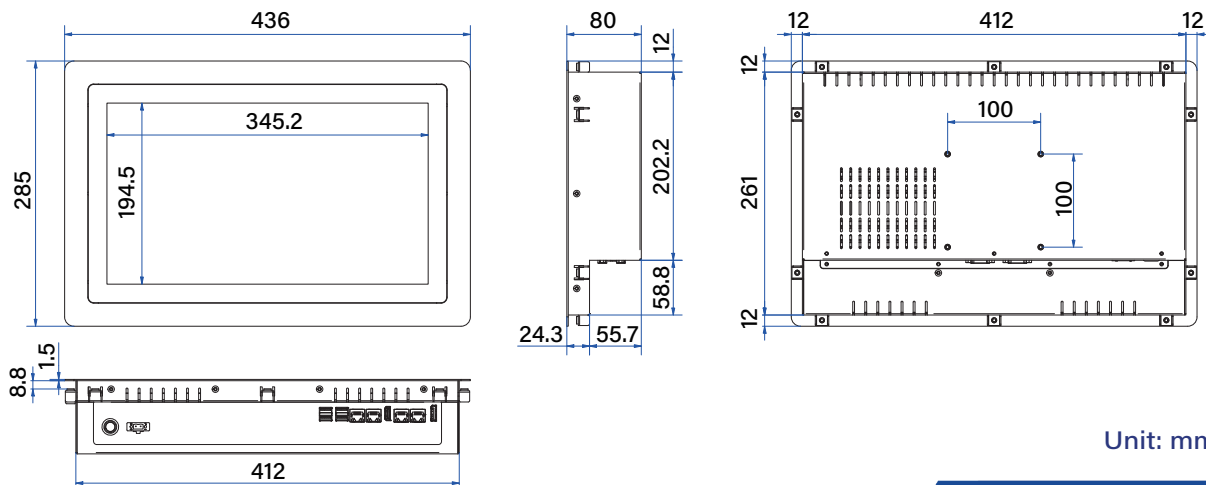
SPECIFICATION

Display	Size / Panel Type	15.6" TFT LCD Panel
	Resolution	1920 x 1080
	Brightness	500 cd/m ² (Option : 1000 / 1800 cd/m ²)
	Contrast Ratio	1000 : 1
	Response Time	25 ms
	Backlight	LED Backlight Unit
	Colors	16.7M Colors
	Viewing Angle	178° / 178°
Touch Screen	Touch Screen Type	PCAP Touch Screen
	Surface Hardness	7H
Environment	Operating Temperature	0°~+50°C
	Storage Temperature	-20°~+60°C
	Humidity	10%~90% RH (Non-Condensing)
	Waterproof Rating	IP65 Front Bezel Waterproof
System	Processor	Intel Core i3-8145UE
	Memory (Option)	1 x DDR4 260-pin SO-DIMM 2400MHz, Up to 32GB
	Storage (Option)	1 x M.2 M-Key 2242 (SATA) SSD
	I/O Interface	USB3.0 x 4 , LAN x 4, HDMI x 1, DisplayPort x 1, DC in w/2pin Terminal Block
	Power Input	12~24VDC Input w/AC100~240V Power Adapter
	Power Consumption	45W
	Mounting	Panel Mount / VESA 100 x 100 mm
Dimension / Weight	436mm (W) x 285mm (H) x 80mm (D)/6.5kgs	

Specifications subject to change without notice

ACCESSORIES

- AC/DC Power Adapter x 1



Unit: mm