

FSP1201-5P-PM-J3455

12.1" INDUSTRIAL PANEL PC

FEATURES

- 12.1" TFT LCD Panel PC with Resolution up to 1024 x 768
- IP65 Front Bezel Waterproof
- Built-in Intel Celeron J3455 Processor
- True Flat PCAP Touch Screen
- 1000nits High Brightness for Sunlight Readable (Option)



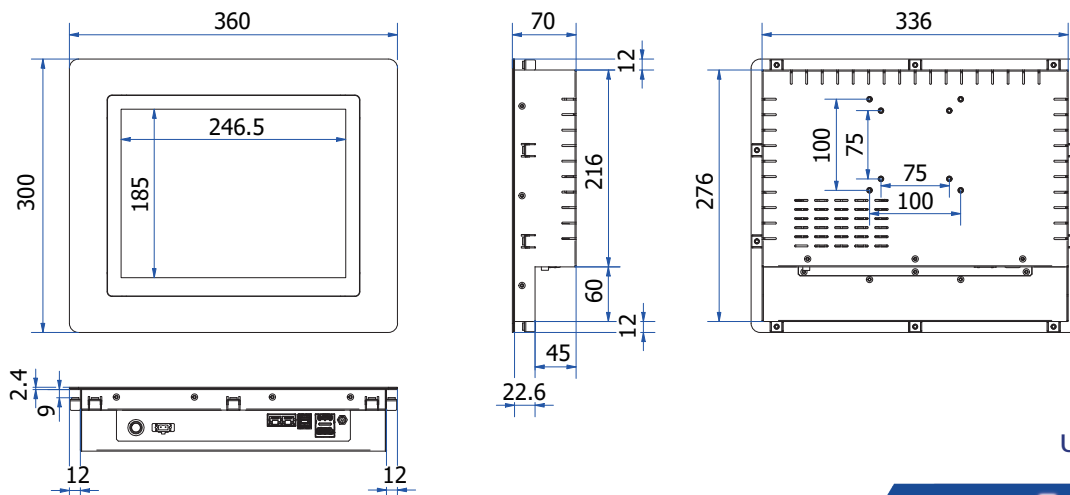
SPECIFICATION

Display	Size / Panel Type	12.1" TFT LCD Panel
	Resolution	1024 x 768
	Brightness	500 cd/m ² (Option : 1000 cd/m ²)
	Contrast Ratio	1000 : 1
	Response Time	25 ms
	Backlight	LED Backlight Unit
	Colors	16.2M Colors
	Viewing Angle	178° / 178°
Touch Screen	Touch Screen Type	PCAP Touch Screen
	Surface Hardness	7H
Environment	Operating Temperature	0°~+50°C
	Storage Temperature	-20°~+60°C
	Humidity	5%~90% RH (Non-Condensing)
	Waterproof Rating	IP65 Front Bezel Waterproof
System	Processor	Intel Celeron J3455
	Memory (Option)	1 x DDR3L 204-pin SO-DIMM 1600MHz, Up to 8GB
	Storage (Option)	1 x M.2 B-Key 2242 (SATA) SSD
	I/O Interface	USB3.0 x 2, LAN x 2, HDMI x 1, DisplayPort x 1, DC in w/2pin Terminal Block
	Power Input	12VDC Input w/AC100~240V Power Adapter
	Power Consumption	30W
	Mounting	Panel Mount / VESA 75 x 75 mm ; 100 x 100 mm
Dimension / Weight	360mm (W) x 300mm (H) x 70mm (D)/4.8kgs	

Specifications subject to change without notice

ACCESSORIES

- AC/DC Power Adapter x 1



Unit: mm