

# F502401

## 24" OPEN FRAME INDUSTRIAL LCD MONITOR

### FEATURES

- 24" Industrial Grade LCD Panel
- Resolution up to 1920 x 1080
- Mounting Brackets Design for Easy Installation
- 1000nits High Brightness for Sunlight Readable (Option)
- Wide Temperature Support -30 to 60°C (Option)



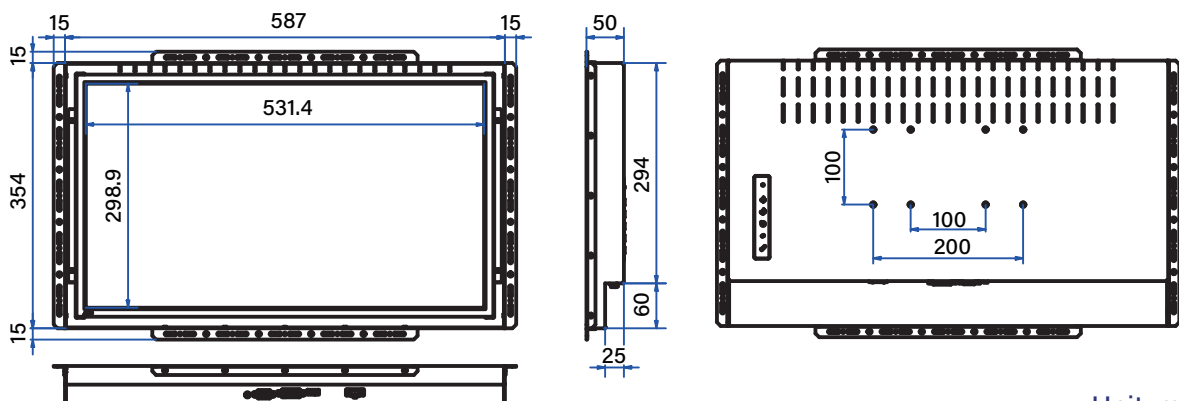
### SPECIFICATION

Display	Size / Panel Type	24" TFT LCD Panel
	Resolution	1920 x 1080
	Brightness	300 cd/m <sup>2</sup> (Option : 1000 cd/m <sup>2</sup> )
	Contrast Ratio	5000 : 1
	Response Time	25 ms
	Backlight	LED Backlight Unit
	Colors	16.7M Colors
	Viewing Angle	178° / 178°
	Surface Hardness	3H, Anti-Glare
Cover Lens	Cover Lens Type	N/A
	Option	Protection Glass / Resistive Touch / PCAP Touch
Environment	Operating Temperature	0°~+50°C
	Storage Temperature	-20°~+60°C
	Humidity	5%~90% RH (Non-Condensing)
System	OSD	Menu , Auto , On/Off , Up , Down
	I/O Interface	VGA x 1, DVI x 1, HDMI x 1, DC in w/ 2pin Terminal Block
	Power Input	12VDC Input w/AC100~240V Power Adapter
	Power Consumption	35W
	Compliance	FCC/CE/RoHS Compliance
	Mounting	4 Side Mounting Brackets ; VESA 100 x 100 mm ; 200 x 100 mm
	Dimension / Weight	587mm (W) x 354mm (H) x 50mm (D) / 6.2kgs

Specifications subject to change without notice

### ACCESSORIES

- VGA Cable x 1
- AC/DC Power Adapter x 1



Unit: mm