

F501700

17" OPEN FRAME INDUSTRIAL LCD MONITOR

FEATURES

- 17" Industrial Grade LCD Panel
- Resolution up to 1280 x 1024
- Mounting Brackets Design for Easy Installation
- 1000nits High Brightness for Sunlight Readable (Option)
- Wide Temperature Support -30 to 60°C (Option)



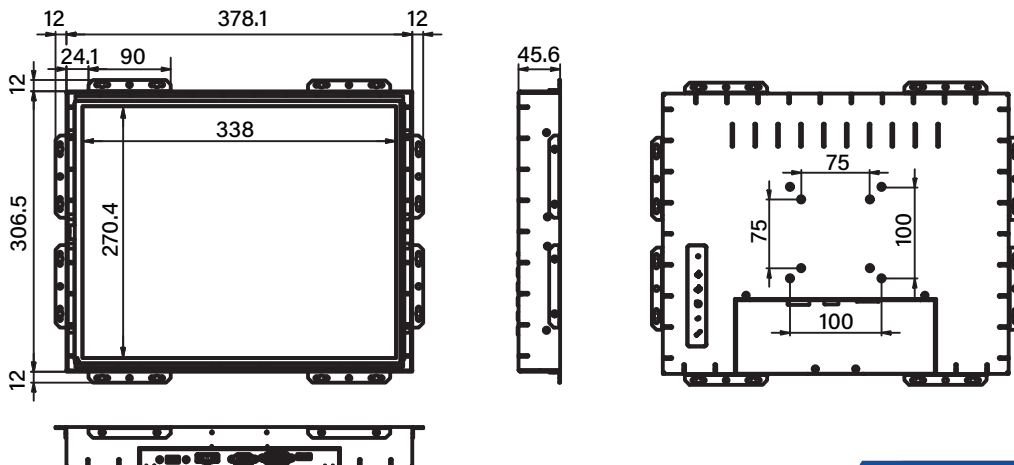
SPECIFICATION

Display	Size / Panel Type	17" TFT LCD Panel
	Resolution	1280 x 1024
	Brightness	350 cd/m ² (Option : 1000 cd/m ²)
	Contrast Ratio	1000 : 1
	Response Time	5 ms
	Backlight	LED Backlight Unit
	Colors	16.2M Colors
	Viewing Angle	170° / 160°
	Surface Hardness	3H, Anti-Glare
Cover Lens	Cover Lens Type	N/A
	Option	Protection Glass / Resistive Touch / PCAP Touch
Environment	Operating Temperature	0°~+50°C
	Storage Temperature	-20°~+60°C
	Humidity	10%~90% RH (Non-Condensing)
System	OSD	Menu , Auto , On/Off , Up , Down
	I/O Interface	VGA x 1, DVI x 1, HDMI x 1, DC in w/ 2pin Terminal Block
	Power Input	12VDC Input w/AC100~240V Power Adapter
	Power Consumption	30W
	Compliance	FCC/CE/RoHS Compliance
	Mounting	4 Side Mounting Brackets ; VESA 75 x 75 mm ; 100 x 100 mm
	Dimension / Weight	378.1mm (W) x 306.5mm (H) x 45.6mm (D) / 4.5kgs

Specifications subject to change without notice

ACCESSORIES

- VGA Cable x 1
- AC/DC Power Adapter x 1



Unit: mm