

FSM3261-5G

31.5" IP65 WATERPROOF FRONT BEZEL MONITOR

FEATURES

- 31.5" TFT LCD Monitor with Resolution up to 1920 x 1080
- IP65 Front Bezel Waterproof
- 1500nits/2500nits High Brightness for Sunlight Readable (Option)
- P-CAP Touch Screen (Option)
- Wide Temperature Support -30 to 60°C (Option)



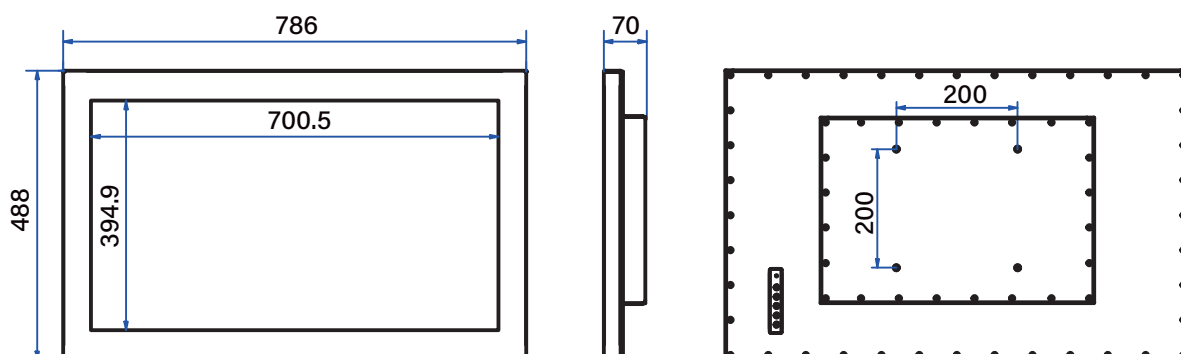
SPECIFICATION

Display	Size / Panel Type	31.5" TFT LCD Panel
	Resolution	1920 x 1080
	Brightness	500 cd/m ² (Option : 1500 / 2500 cd/m ²)
	Contrast Ratio	4000 : 1
	Response Time	8 ms
	Backlight	LED Backlight Unit
	Colors	16.7M Colors
	Viewing Angle	178° / 178°
Cover Lens	Cover Lens Type	AR Glass , 7H
	Option: Touch Screen	P-CAP Touch
Environment	Operating Temperature	0°~+50°C
	Storage Temperature	-20°~+60°C
	Humidity	10%~90% RH (Non-Condensing)
	Waterproof Rating	IP65 Front Bezel
System	OSD	Menu , Auto , On/Off , Up , Down
	I/O Interface	VGA x 1, DVI x 1, HDMI x 1, AC Inlet x 1
	Power Input	AC100~240V Input
	Power Consumption	50W
	Compliance	FCC/CE/RoHS Compliance
	Mounting	VESA 200 x 200 mm
	Dimension / Weight	786mm (W) x 488mm (H) x 70mm (D) / 17kgs

Specifications subject to change without notice

ACCESSORIES

- VGA Cable x 1
- Power Cord x 1



Unit: mm