

# FSM3260-6G-AL

## 31.5" IP66 WATERPROOF ALUMINUM MONITOR

### FEATURES

- 31.5" TFT LCD Monitor with Resolution up to 1920 x 1080
- IP66/NEMA4X Waterproof, Aluminum Housing
- 1500nits/2500nits High Brightness for Sunlight Readable (Option)
- P-CAP Touch Screen (Option)
- Wide Temperature Support -30 to 60°C (Option)



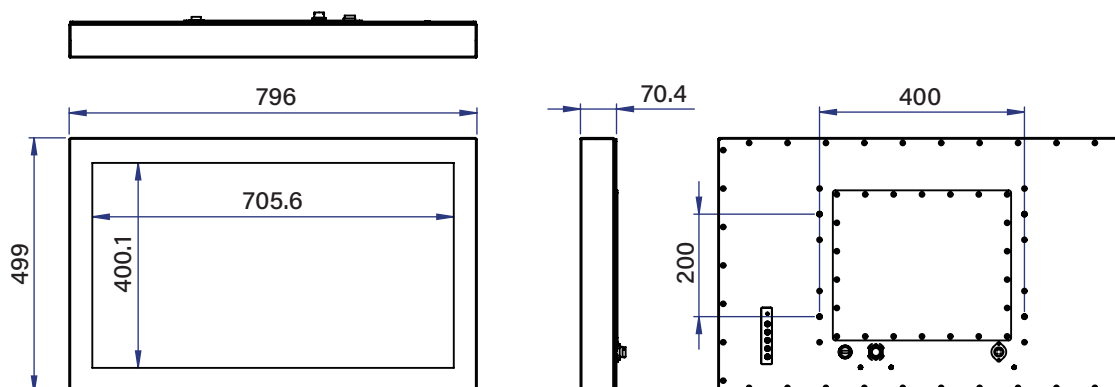
### SPECIFICATION

Display	Size / Panel Type	31.5" TFT LCD Panel
	Resolution	1920 x 1080
	Brightness	500 cd/m <sup>2</sup> (Option : 1500 / 2500 cd/m <sup>2</sup> )
	Contrast Ratio	4000 : 1
	Response Time	8 ms
	Backlight	LED Backlight Unit
	Colors	16.7M Colors
	Viewing Angle	178° / 178°
Cover Lens	Cover Lens Type	AR Glass , 7H
	Option: Touch Screen	P-CAP Touch
Environment	Operating Temperature	0°~+50°C
	Storage Temperature	-20°~+60°C
	Humidity	10%~90% RH (Non-Condensing)
	Waterproof Rating	IP66/NEMA4X , 6 Side Waterproof
System	OSD	Menu , Auto , On/Off , Up , Down
	I/O Interface	VGA x 1 , HDMI x 1 , Power Input x 1
	Power Input	AC100~240V Input
	Power Consumption	50W
	Compliance	FCC/CE/RoHS Compliance
	Mounting	VESA 400 x 200 mm
	Dimension / Weight	796mm (W) x 499mm (H) x 70.4mm (D) / 16kgs

Specifications subject to change without notice

### ACCESSORIES

- VGA Cable x 1
- HDMI Cable x 1
- Power Input Cable x 1



Unit: mm