

FSM2202-5P

21.5" IP65 WATERPROOF FRONT BEZEL MONITOR

FEATURES

- 21.5" TFT LCD Monitor with Resolution up to 1920 x 1080
- IP65 Front Bezel Waterproof
- P-CAP Touch Screen
- Ruggedize Aluminum Enclosure



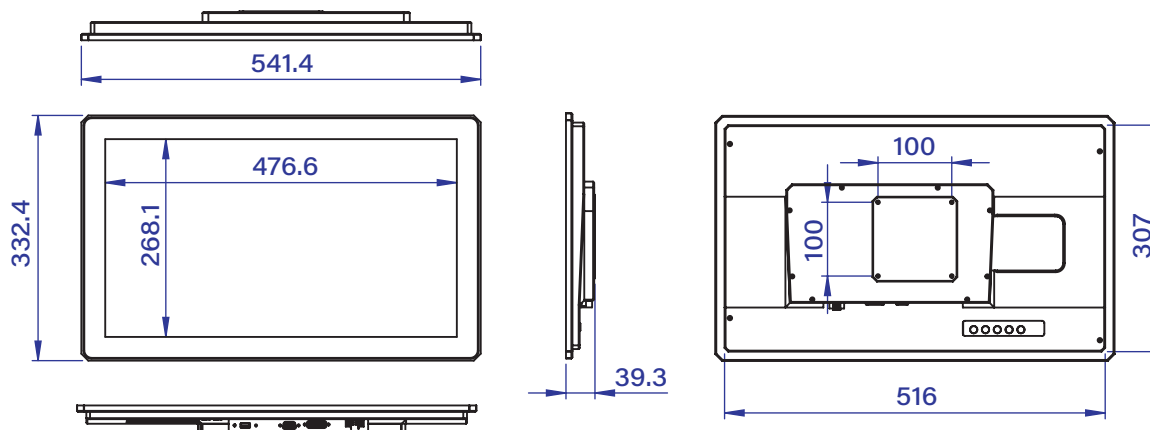
SPECIFICATION

Display	Size / Panel Type	21.5" TFT LCD Panel
	Resolution	1920 x 1080
	Brightness	300 cd/m ²
	Contrast Ratio	5000 : 1
	Response Time	25 ms
	Backlight	LED Backlight Unit
	Colors	16.7M Colors
	Viewing Angle	178° / 178°
Touch Screen	Touch Screen Type	P-CAP Touch Screen
	Hardness	7H
Environment	Operating Temperature	0°~+50°C
	Storage Temperature	-20°~+60°C
	Humidity	5%~90% RH (Non-Condensing)
	Waterproof Rating	IP65 Front Bezel
System	OSD	Menu , Auto , On/Off , Up , Down
	I/O Interface	VGA x1, DVI x1, USB x1 (for Touch), DC in w/ 2pin Terminal Block
	Power Input	24VDC Input
	Power Consumption	30W
	Compliance	FCC/CE/RoHS Compliance
	Mounting	VESA 100 x 100 mm
	Dimension / Weight	541.4mm (W) x 332.4mm (H) x 39.3mm (D) / 5.5kgs

Specifications subject to change without notice

ACCESSORIES

- VGA Cable x 1



Unit: mm