

FSM2201-5P

21.5" IP65 WATERPROOF FRONT BEZEL MONITOR

FEATURES

- 21.5" TFT LCD Monitor with Resolution up to 1920 x 1080
- IP65 Front Bezel Waterproof
- P-CAP Touch Screen
- 1000nits/1500nits High Brightness for Sunlight Readable (Option)
- Wide Temperature Support -30 to 60°C (Option)



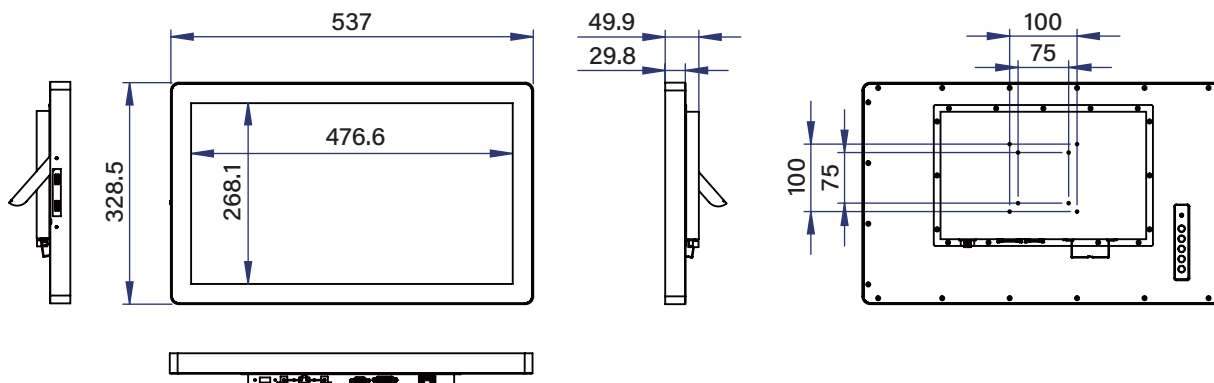
SPECIFICATION

Display	Size / Panel Type	21.5" TFT LCD Panel
	Resolution	1920 x 1080
	Brightness	250 cd/m ² (Option : 1000 / 1500 cd/m ²)
	Contrast Ratio	1000 : 1
	Response Time	22 ms
	Backlight	LED Backlight Unit
	Colors	16.7M Colors
	Viewing Angle	178° / 178°
Touch Screen	Touch Screen Type	P-CAP Touch Screen
	Hardness	7H
Environment	Operating Temperature	0°~+50°C
	Storage Temperature	-20°~+60°C
	Humidity	5%~90% RH (Non-Condensing)
	Waterproof Rating	IP65 Front Bezel
System	OSD	Menu , Auto , On/Off , Up , Down
	I/O Interface	VGA x 1, DVI x 1, Rear USB x 2 (1 for Touch, 1 for PC), Side USB x 2 (for Data Transmission), DC in w/ 2pin Terminal Block
	Power Input	24VDC Input
	Power Consumption	30W
	Compliance	FCC/CE/RoHS Compliance
	Mounting	VESA 75 x 75 mm ; 100 x 100 mm
	Dimension / Weight	537mm (W) x 328.5mm (H) x 49.9mm (D) / 7.5kgs

Specifications subject to change without notice

ACCESSORIES

- VGA Cable x 1



Unit: mm