

FSM1704-5P-PM

17" IP65 WATERPROOF FRONT BEZEL MONITOR

FEATURES

- 17" TFT LCD Monitor with Resolution up to 1280 x 1024
- IP65 Front Bezel Waterproof, Aluminum Front Bezel
- P-CAP Touch Screen
- 1000nits High Brightness for Sunlight Readable (Option)
- Wide Temperature Support -30 to 60°C (Option)



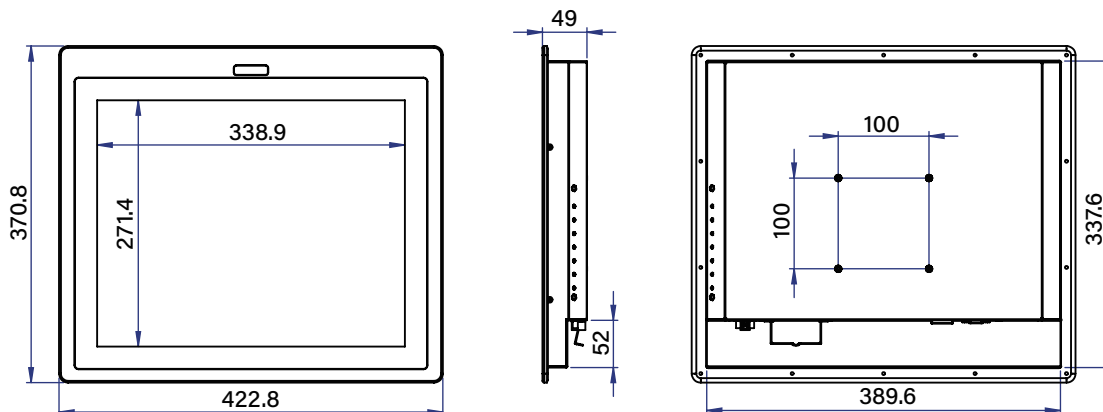
SPECIFICATION

Display	Size / Panel Type	17" TFT LCD Panel
	Resolution	1280 x 1024
	Brightness	350 cd/m ² (Option : 1000 cd/m ²)
	Contrast Ratio	800 : 1
	Response Time	30 ms
	Backlight	LED Backlight Unit
	Colors	16.2M Colors
	Viewing Angle	160° / 140°
Touch Screen	Touch Screen Type	P-CAP Touch Screen
	Hardness	7H
Environment	Operating Temperature	0°~+50°C
	Storage Temperature	-20°~+60°C
	Humidity	10%~90% RH (Non-Condensing)
	Waterproof Rating	IP65 Front Bezel
System	OSD	Menu , Auto , On/Off , Up , Down
	I/O Interface	VGA x 1, DVI x 1, HDMI x 2, USB x 1 (for Touch), DC in w/ 2pin Terminal Block
	Power Input	12VDC Input w/AC100~240V Power Adapter
	Power Consumption	30W
	Compliance	FCC/CE/RoHS Compliance
	Mounting	Panel Mount / VESA 75 x 75 mm
	Dimension / Weight	422.8mm (W) x 370mm (H) x 49mm (D) / 7kgs

Specifications subject to change without notice

ACCESSORIES

- VGA Cable x 1
- AC/DC Power Adapter x 1



Unit: mm