

FSM1505-5P

15" IP65 WATERPROOF FRONT BEZEL MONITOR

FEATURES

- 15" TFT LCD Monitor with Resolution up to 1024 x 768
- IP65 Front Bezel Waterproof, Stainless Steel Housing
- P-CAP Touch Screen
- 1000nits/1600nits High Brightness for Sunlight Readable (Option)
- Wide Temperature Support -30 to 60°C (Option)



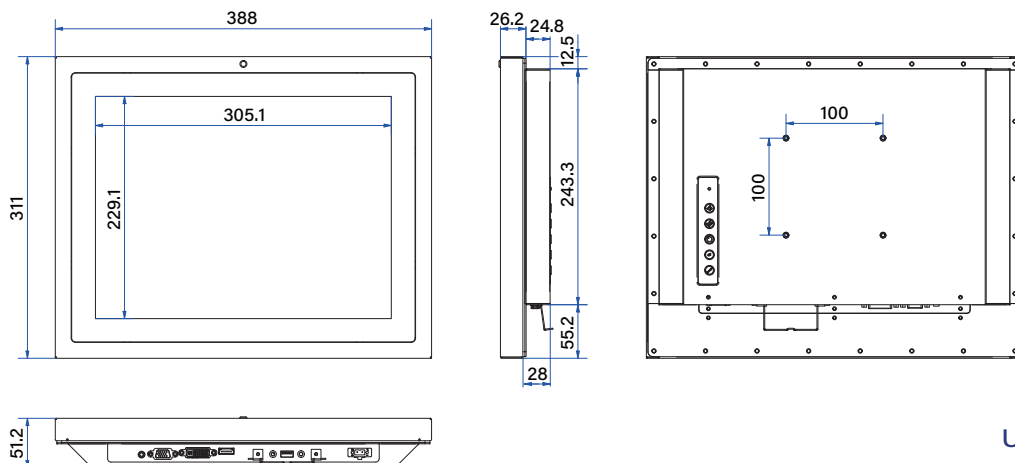
SPECIFICATION

Display	Size / Panel Type	15" TFT LCD Panel
	Resolution	1024 x 768
	Brightness	300 cd/m ² (Option : 1000 / 1600 cd/m ²)
	Contrast Ratio	2000 : 1
	Response Time	23 ms
	Backlight	LED Backlight Unit
	Colors	16.2M Colors
	Viewing Angle	176° / 176°
Touch Screen	Touch Screen Type	P-CAP Touch Screen
	Hardness	7H
Environment	Operating Temperature	0°~+50°C
	Storage Temperature	-20°~+60°C
	Humidity	10%~90% RH (Non-Condensing)
	Waterproof Rating	IP65 Front Bezel
System	OSD	Menu , Auto , On/Off , Up , Down
	I/O Interface	VGA x 1, DVI x 1, HDMI x 1, USB x 1 (for Touch), DC in w/ 2pin Terminal Block
	Power Input	12VDC Input w/AC100~240V Power Adapter
	Power Consumption	10W
	Compliance	FCC/CE/RoHS Compliance
	Mounting	VESA 100 x 100 mm
	Dimension / Weight	388mm (W) x 311mm (H) x 51.2mm (D) / 5.5kgs

Specifications subject to change without notice

ACCESSORIES

- VGA Cable x 1
- AC/DC Power Adapter x 1



Unit: mm