

# FSM1502-5R-PM

## 15" IP65 WATERPROOF FRONT BEZEL MONITOR

### FEATURES

- 15" TFT LCD Monitor with Resolution up to 1024 x 768
- IP65 Front Bezel Waterproof
- Resistive Touch Screen
- 1000nits/1600nits High Brightness for Sunlight Readable (Option)
- Wide Temperature Support -30 to 60°C (Option)



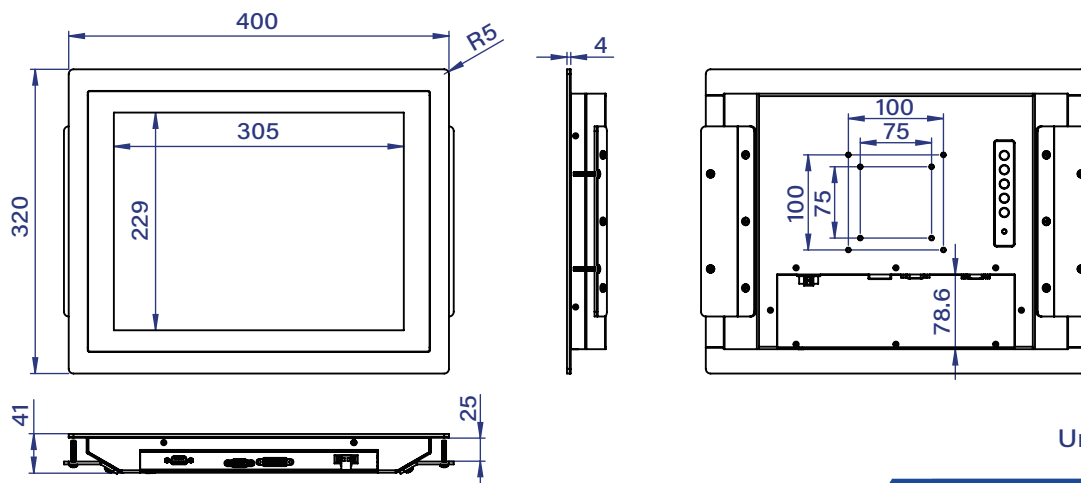
### SPECIFICATION

|              |                       |  |
|--------------|-----------------------|--|
| Display      | Size / Panel Type     | 15" TFT LCD Panel  |
|              | Resolution            | 1024 x 768   |
|              | Brightness            | 350 cd/m <sup>2</sup> (Option : 1000 / 1600 cd/m <sup>2</sup> )        |
|              | Contrast Ratio        | 800 : 1  |
|              | Response Time         | 23 ms  |
|              | Backlight             | LED Backlight Unit   |
|              | Colors                | 16.2M Colors   |
|              | Viewing Angle         | 160° / 150°  |
| Touch Screen | Touch Screen Type     | Resistive Touch Screen   |
|              | Hardness              | 3H   |
| Environment  | Operating Temperature | 0°~+50°C   |
|              | Storage Temperature   | -20°~+60°C   |
|              | Humidity              | 10%~90% RH (Non-Condensing)  |
|              | Waterproof Rating     | IP65 Front Bezel   |
| System       | OSD                   | Menu , Auto , On/Off , Up , Down                                       |
|              | I/O Interface         | VGA x 1, DVI x 1, DB9 x 1 (for Touch),<br>DC in w/ 2pin Terminal Block |
|              | Power Input           | 12VDC Input w/AC100~240V Power Adapter                                 |
|              | Power Consumption     | 15W  |
|              | Compliance            | FCC/CE/RoHS Compliance   |
|              | Mounting              | Panel Mount / VESA 75 x 75 ; 100 x 100 mm                              |
|              | Dimension / Weight    | 400mm (W) x 320mm (H) x 41mm (D) / 5.5kgs                              |

Specifications subject to change without notice

### ACCESSORIES

- VGA Cable x 1
- AC/DC Power Adapter x 1



Unit: mm