

# FSM1261-6G

## 12.1" IP66 WATERPROOF STAINLESS STEEL MONITOR

### FEATURES

- 12.1" TFT LCD Monitor with Resolution up to 1024 x 768
- IP66/NEMA4X Waterproof, Stainless Steel Housing
- 1000nits High Brightness for Sunlight Readable (Option)
- Resistive Touch Screen (Option) / P-CAP Touch Screen (Option)
- Wide Temperature Support -30 to 60°C (Option)



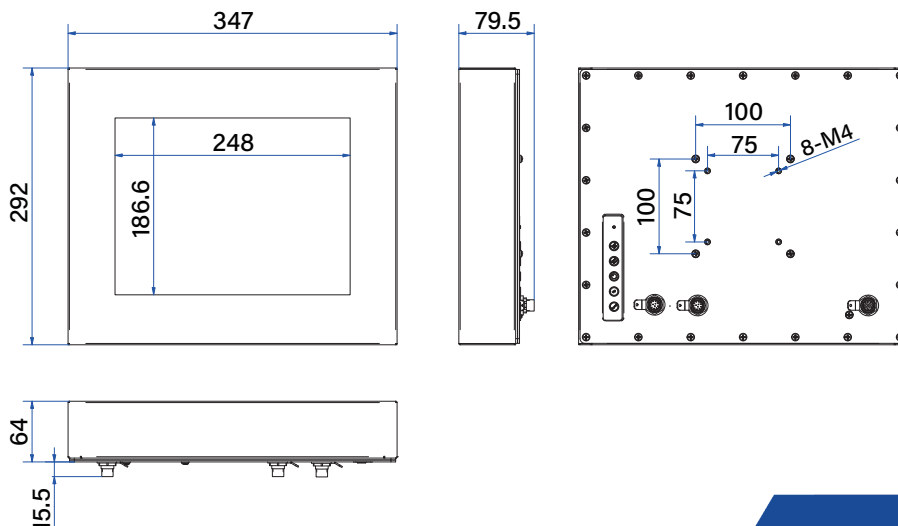
### SPECIFICATION

Display	Size / Panel Type	12.1" TFT LCD Panel
	Resolution	1024 x 768
	Brightness	500 cd/m <sup>2</sup> (Option : 1000 cd/m <sup>2</sup> )
	Contrast Ratio	700 : 1
	Response Time	35 ms
	Backlight	LED Backlight Unit
	Colors	16.7M Colors
	Viewing Angle	160° / 140°
Cover Lens	Cover Lens Type	AR Glass , 7H
	Option: Touch Screen	Resistive Touch / P-CAP Touch
Environment	Operating Temperature	0°~+50°C
	Storage Temperature	-20°~+60°C
	Humidity	5%~90% RH (Non-Condensing)
	Waterproof Rating	IP66/NEMA4X , 6 Side Waterproof
System	OSD	Menu , Auto , On/Off , Up , Down
	I/O Interface	VGA x 1 , DVI x 1 , Power Input x 1
	Power Input	12VDC Input w/AC100~240V Power Adapter
	Power Consumption	20W
	Compliance	FCC/CE/RoHS Compliance
	Mounting	VESA 75 x 75 mm ; 100 x 100 mm
	Dimension / Weight	347mm (W) x 292mm (H) x 64mm (D) / 6.3kgs

Specifications subject to change without notice

### ACCESSORIES

- VGA Cable x 1
- DVI Cable x 1
- AC/DC Power Adapter x 1



Unit: mm