

FSM1501-5P

15-inch True Flat Industrial LCD Monitor

Features

- 15" TFT LCD with Resolution up to 1024 x 768
- IP66 Waterproof Complaint (Except I/O side)
- Rugged Stainless Steel Housing
- True Flat P-CAP Touch Screen
- Wide Temperature Support -30~+60°C (Optional)



SPECIFICATION

Display	Size/Panel Type	15" TFT LCD Panel
	Resolution	1024 x 768
	Brightness (cd/m ²)	450cd/m ² (Optional: 1000cd/m ² / 1500cd/m ²)
	Contrast Ratio	800:1
	Response Time	8ms
	Backlight	LED Backlight Unit
	Colors	16.2M Colors
	Viewing Angle (H/V)	160°/150°
Touch Screen	Touch Screen Type	P-CAP Touch
	Surface Hardness	7H
Environment	Operating Temperature	0°C~50°C
	Storage Temperature	-20°C~+60°C
	Humidity	10%~90% RH(Non-Condensing)
	Waterproof Rating	IP66, 5 Side Waterproof (Except I/O Side)
System	OSD	Menu, Auto, On/Off, Up, Down
	I/O Interface	DVI, HDMI, VGA, DC in, USB (for Touch)
	Power Input	DC12V Input, w/ AC100~240V Power Adapter
	Power Consumption	25W
	Certification	FCC/CE/RoHS Compliance
	Mounting	VESA 75 x 75mm
	Dimension/Weight	344.4mm (W) x 268.4mm (H) x 40mm (D) /5.7kgs

Specifications subject to change without notice

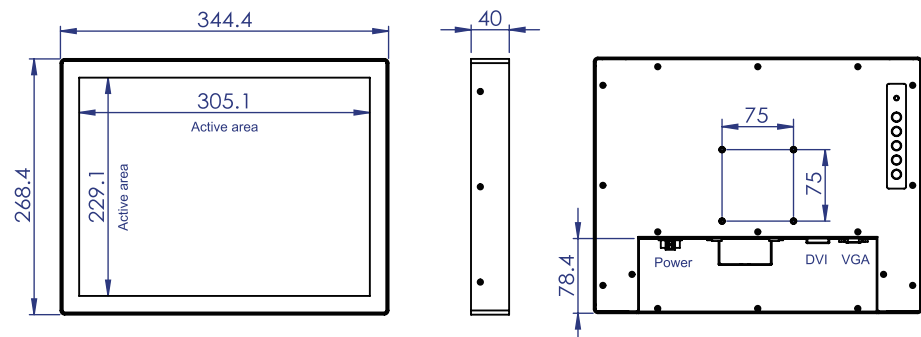
ORDERING CODE

FSM1501-5P-XXXX

- HB10 = 1000nits High Brightness
- HB15 = 1500nits High Brightness
- W = Wide Temperature, -30~+60°C

ACCESSORIES

- VGA Cable x 1 (1.8M)
- AC/DC Power Adapter x 1 (1.8M)



Unit: mm