

FSP3202-5P-6100U

32-inch Industrial True Flat Panel PC

Features

- 32" True Flat Panel PC with Resolution up to 1920 x 1080
- Built-in Intel® Core i3/i5/i7 Processor, Atom/Celeron Processor is Available for Option
- 1500nits High Brightness for Sunlight Readable (Optional)
- True Flat P-CAP Touch Screen



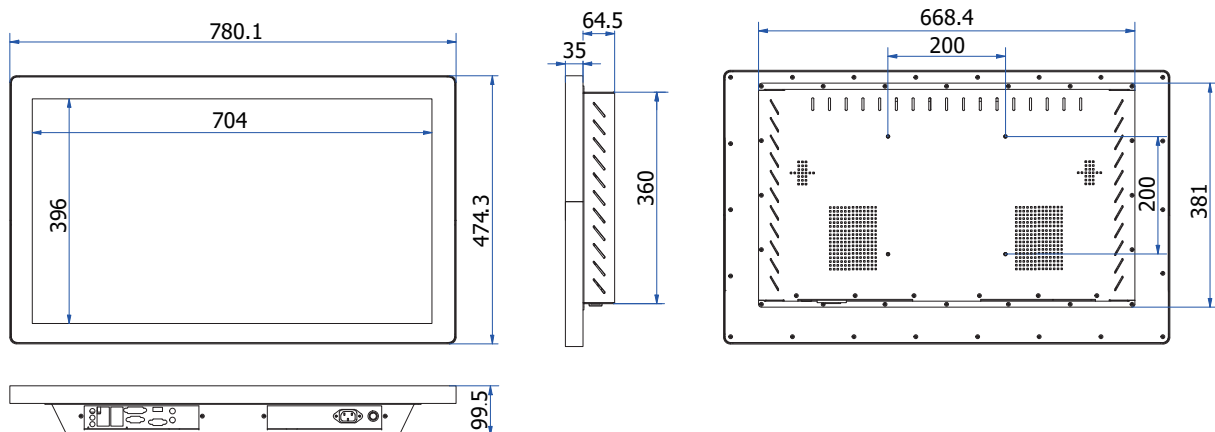
SPECIFICATION

Display	Size/Panel Type	32" TFT LCD Panel
	Resolution	1920 x 1080
	Brightness (cd/m ²)	500cd/m ² (Optional: 1500cd/m ²)
	Contrast Ratio	3000:1
	Response Time	8ms
	Backlight	LED backlight unit
	Colors	16.7M Colors
	Viewing Angle (H/V)	178°/178°
Touch Screen	Touch Screen Type	P-CAP Touch
	Surface Hardness	7H
Environment	IP Rating	IP65 Waterproof Front Bezel
	Operating Temperature	0°~50°C
	Storage Temperature	-20°C ~ +60°C
	Humidity	10%~90% RH(Non-Condensing)
Mechanical	Mounting	VESA 200 x 200mm
	Dimension/Weight	780.1mm (W) x 474.3mm (H) x 99.5mm (D)/22kgs
	Housing Material / Color	Metal / Silver
Power	Power Input	AC100~240V Input
	Power Consumption	85W
System	Processor/ Memory	Intel® Core™ i3-6100U Processor/ 4GB DDR4
	I/O Interface	USB x 4, LAN x 2, HDMI x 1, DP x 2, AC in x 1
	Speaker	2W x 2
	Certification	FCC/CE/RoHS Compliance

Specifications subject to change without notice

ACCESSORIES

- Power Cord x 1



Unit:mm