

FSO1500

15-inch Open Frame Industrial LCD Monitor

Features

- 15" Open Frame Monitor
- Industrial Grade LCD Panel
- Mounting Brackets Design for Easy Installation



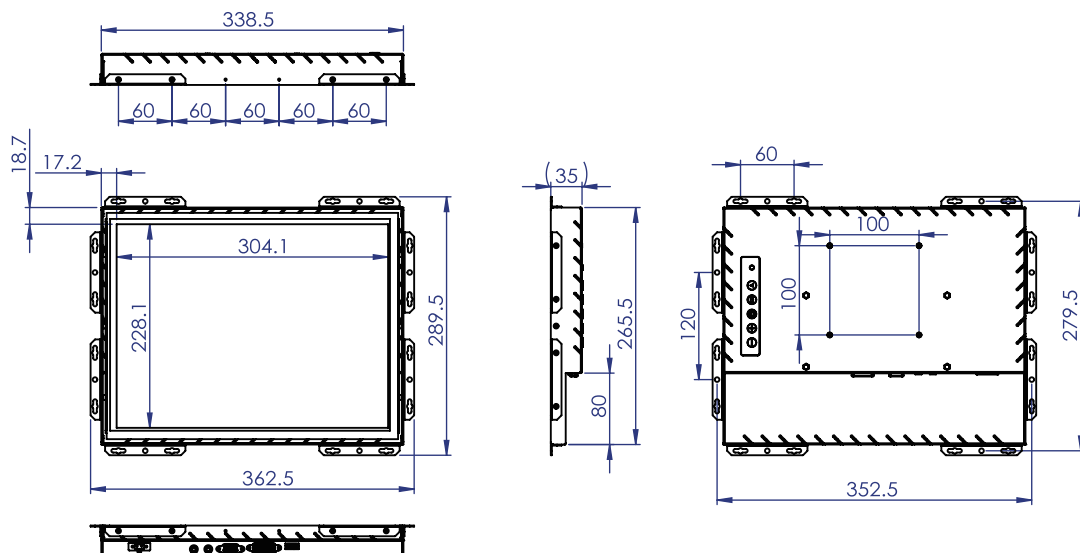
SPECIFICATION

| | | |
|---------------------|---------------------------------|--|
| Display | Size/Panel Type | 15" TFT LCD Panel |
| | Resolution | 1024 x 768 |
| | Brightness (cd/m ²) | 350 cd/m ² |
| | Contrast Ratio | 800:1 |
| | Aspect Ratio | 4:3 |
| | Response Time | 8 ms |
| | Backlight | LED Backlight Unit |
| | Colors | 16.2M Colors |
| | Viewing Angle (H/V) | 160°/150° |
| | Surface Hardness | 3H |
| | Environment | Operating Temperature |
| Storage Temperature | | -20°C~+60°C |
| Humidity | | 5%~95% RH(Non-Condensing) |
| System | OSD | Menu, Auto, On/Off, Up, Down |
| | I/O Interface | VGA, DVI, HDMI, DC in w/ 2 PIN Terminal Block |
| | Power Input | DC12V Input, w/ AC100~240V 50-60Hz Power Adapter |
| | Power Consumption | 15W |
| | Mounting | Open Frame Mounting Brackets |
| | Certification | FCC/CE/RoHS Compliance |
| | Dimension/Weight | 362.5mm (W) x 289.5mm (H) x 35mm (D)/2kg |

Specifications subject to change without notice

ACCESSORIES

- VGA Cable x 1
- AC/DC Power Adapter x 1



Unit: mm