

FSP4260-IP66-E3845

42-inch Industrial IP66 Waterproof Stainless Steel Panel PC

Features

- 42" TFT LCD panel PC with Resolution up to 1920 x 1080
- Built-in Intel® Atom Processor, Celeron, Core i3/i5 Processor is Available for Option
- IP66/NEMA4X Waterproof, Stainless Steel Housing
- 700nits High Brightness for Sunlight Readable (Optional)
- Wide Temperature Support -30°~+60°C (Optional)



SPECIFICATION

Display	Size/Panel Type	42" TFT LCD Panel
	Resolution	1920 x 1080
	Brightness (cd/m ²)	500cd/m ² (Optional: 700cd/m ²)
	Contrast Ratio	4000:1
	Response Time	8ms
	Backlight	LED backlight unit
	Colors	16.7M Colors
	Viewing Angle (H/V)	178°/178°
	Surface Hardness	7H, AR Glass
Touch Screen	Touch Screen Type	IR Touch / P-CAP (Optional)
	Surface Hardness	7H (AG Glass) / 7H
Environment	Operating Temperature	0°~50°C
	Storage Temperature	-20°C ~ +60°C
	Humidity	5%~95% RH(Non-Condensing)
	Waterproof Rating	IP66/NEMA4X, 6 Side Waterproof
Power	Power Input	AC100~240V Input
	Power Consumption	160W
Mechanical	Mounting	VESA Mount 400 x 300mm
	Dimension/Weight	1041.4mm (W) x 633.4mm (H) x 96mm (D)/39kgs
	Housing Material / Color	Stainless Steel / Silver
System	Processor/Memory	Intel® Atom™ E3845 Processor / 4GB DDR3
	I/O Interface	LAN x 1, USB x 1, COM x 1, Power in x 1
	Certification	FCC/CE/RoHS Compliance

Specifications subject to change without notice

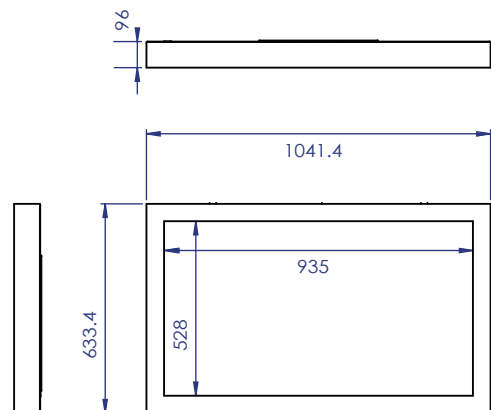
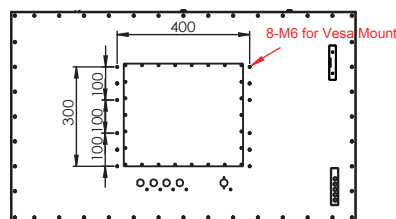
ORDERING CODE

FSP4260-IP66-E3845-XXXX

- PCT= P-CAP Touch Screen
- IR = IR Touch Screen
- HB700 = 700nits High Brightness
- W = Wide Temperature, -30°~+60°C
- WF = WiFi Module + Antenna

ACCESSORIES

- LAN Cable x 1
- RS232 Cable x 1
- USB Cable x 1
- Power Cord x 1



Unit:mm