

FSP2200-IP66-PCT-i52510E

21.5-inch Industrial IP66 Waterproof Stainless Steel Panel PC

Features

- 21.5" 1920 x 1080 True Flat Full HD Resolution LED Display
- 1000nits High Brightness for Sunlight Readable (Optional)
- Compact Mechanical with Solid Design
- P-CAP Touch Screen
- Fully IP66 6 Side Waterproof Supported
- Wide Temperature Support -30°~+60°C (Optional)



SPECIFICATION

Display	Size/Panel Type	21.5" TFT LCD Panel
	Resolution	1920 x 1080
	Brightness (cd/m ²)	350cd/m ² (Optional: 1000cd/m ²)
	Contrast Ratio	1000:1
	Response Time	22ms
	Backlight	LED Backlight Unit
	Colors	16.7M Colors
	Viewing Angle (H/V)	178°/178°
Touch Screen	Touch Screen Type	P-CAP Touch Screen
	Surface Hardness	7H
Environment	Operating Temperature	0°C~+50°C
	Storage Temperature	-20°C~+60°C
	Humidity	10%~95% RH(Non-Condensing)
	Waterproof Rating	IP66/NEMA4X, 6 Side Waterproof
Power	Power Input	DC24V Input,w/ AC100~240V Power Adapter
	Power Consumption	62W
Mechanical	Mounting	VESA Mount 100 x 100mm; 200 x 100mm
	Dimension/Weight	537.8mm (W) x 329.3mm (H) x 80.5mm (D)/13kgs
	Housing Material / Color	Stainless Steel, Aluminum (Heat-Sink) / Silver
System	Processor/Memory	Intel® Core™ i5-2510E Processor / 4GB DDR3
	I/O Interface	DVI,HDMI,VGA,COM,LAN x 2,USB x 4,Audio,DC in
	Certification	FCC/CE/RoHS Compliance

Specifications subject to change without notice

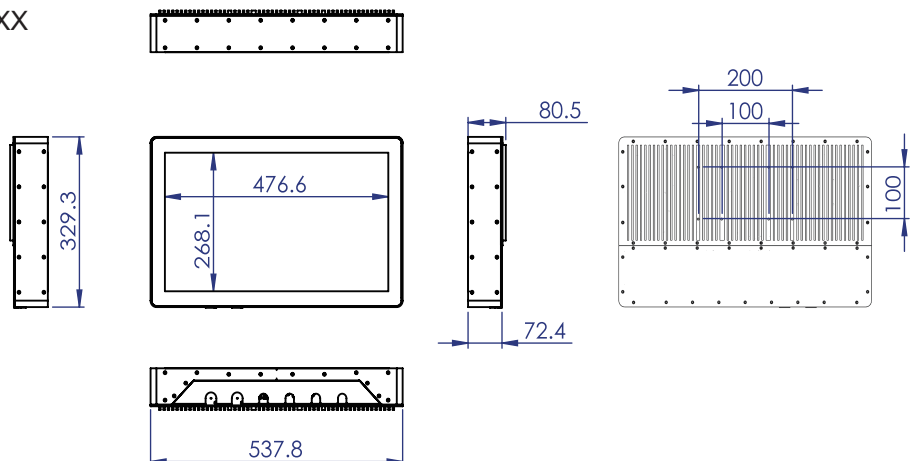
ORDERING CODE

FSP2200-IP66-PCT-i52510E-XXXX

- HB1000 = 1000nits High Brightness
- W = Wide Temperature, -30°~+60°C
- OB = Optical Bonding
- WF = WiFi Module + Antenna

ACCESSORIES

- AC/DC Power Adapter x 1



Unit:mm