

FSO1900

19-inch Open Frame Industrial LCD Monitor

Features

- 19" TFT LCD with Resolution 1280 x 1024
- 1000nits Sunlight Readable (Optional)
- P-CAP Touch Screen / Resistive Touch Screen (Optional)



SPECIFICATION

Display	Size/Panel Type	19" TFT LCD Panel
	Resolution	1280 x 1024
	Brightness (cd/m ²)	350cd/m ² (Optional: 1000cd/m ²)
	Contrast Ratio	1000:1
	Response Time	5ms
	Backlight	LED Backlight Unit
	Colors	16.7M colors
	Viewing Angle (H/V)	170°/160°
Touch Screen	Touch Screen Type	P-CAP Touch/ Resistive Touch (Optional)
	Surface Hardness	7H / 3H
Environment	Operating Temperature	0°C~50°C
	Storage Temperature	-20°C~+60°C
	Humidity	5%~90% RH(Non-Condensing)
System	OSD	Menu, Auto, On/Off, Up, Down
	I/O Interface	VGA, DVI, HDMI, DC in w/ 2 PIN Terminal Block
	Power Input	DC12V Input, w/ AC100~240V Power Adapter
	Power Consumption	35W
	Mounting	Open Frame Mounting Brackets
	Certification	FCC/CE/RoHS Compliance
	Dimension/Weight	450mm (W) x 378.4mm (H) x 40mm (D)/4.2kgs

Specifications subject to change without notice

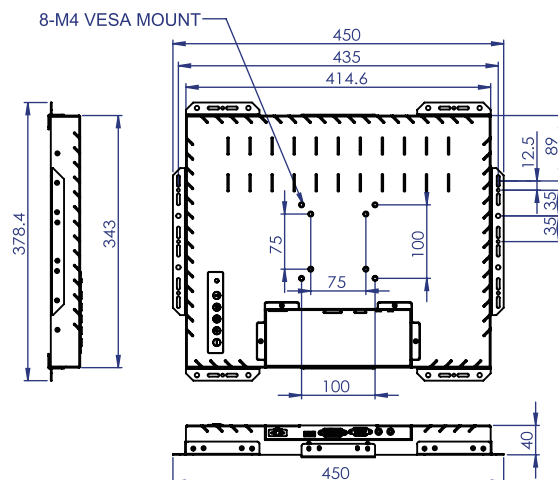
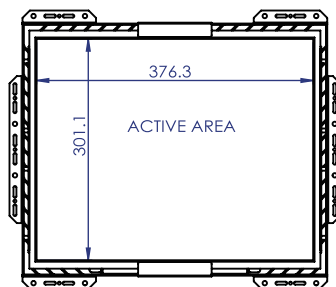
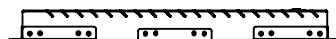
ORDERING CODE

FSO1900-XXXX

- PCT = P-CAP Touch Screen
- RT = Resistive Touch Screen
- HB1000 = 1000nits High Brightness
- W = Wide Temperature, -30°~+60°C
- LS = Light Sensor, Auto Dimming
- OB = Optical Bonding

ACCESSORIES

- VGA Cable x 1
- AC/DC Power Adapter x 1



Unit: mm