

# FSM4262 Series

## 42-inch Industrial Monitor

### Features

- 42" TFT LCD Monitor with Resolution up to 1920 x 1080
- IP65 Waterproof Front Bezel, Rugged Housing
- Complete Custom Design/Solution for OEM customers



### SPECIFICATION

Display	Size/Panel Type	42" TFT LCD Panel
	Resolution	1920 x 1080
	Brightness (cd/m <sup>2</sup> )	500cd/m <sup>2</sup>
	Contrast Ratio	4000:1
	Response Time	8ms
	Backlight	LED backlight unit
	Colors	16.7M Colors
	Viewing Angle (H/V)	178°/178°
	Surface Hardness	7H, Tempered Glass
Touch Screen	Touch Screen Type	IR Touch (Optional)
	Surface Hardness	7H (Tempered Glass)
Environment	Operating Temperature	0°~50°C
	Storage Temperature	-20°C~+60°C
	Humidity	5%~95% RH(Non-Condensing)
	Waterproof Rating	IP65 Front Bezel Waterproof
System	OSD	Menu, Auto, On/Off, Up, Down
	I/O Interface	DVI x 1, VGA x 1, HDMI x 1, Power in x 1
	Power Input	AC100~240V
	Power Consumption	74W
	Certification	FCC/CE/RoHS
	Anti-Shock/Vibration	EN50155 Compliance
	Mounting	VESA 400 x 400mm, M6/depth:6.5mm
	Dimension/Weight	1010mm (W) x 603mm (H) x 80mm (D)/35kgs

Specifications subject to change without notice

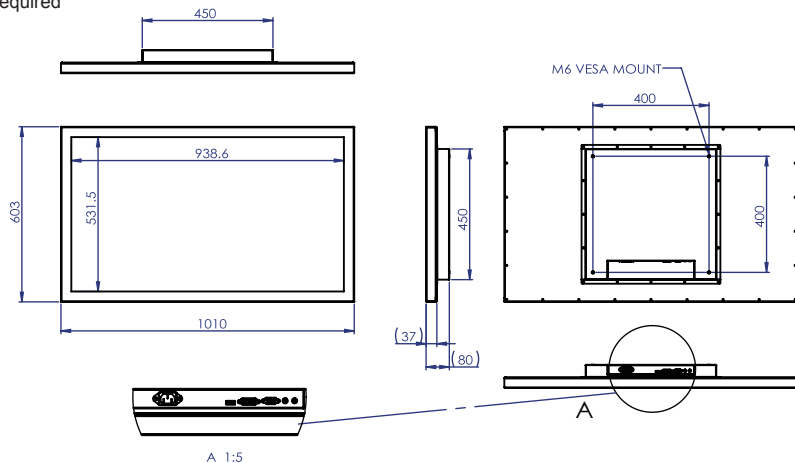
### ORDERING CODE

FSM4262-XXX

-XXX = Include A-Z, 0-9 or null follow customer required

### ACCESSORIES

- DVI Cable x 1 (1.8M)
- VGA Cable x 1 (1.8M)
- HDMI Cable x 1 (1.8M)
- AC Power Cord x 1 (1.8M)



A 1:5

Unit:mm