

FSP1961-IP66-PCT-E3845

19-inch Industrial IP66 Waterproof Stainless Steel Panel PC

Features

- Rugged 19" Industrial Panel PC
- 1000nits High Brightness for Sunlight Readable (Optional)
- Compact Mechanical and Solid Design
- Built-in Intel® Atom Processor, Celeron and Core i3/i5 Processor is Available for Option. Memory is Upgradeable.
- IP66/NEMA4X 6 side Waterproof



SPECIFICATION

Display	Size/Panel Type	19" TFT LCD Panel
	Resolution	1280 x 1024
	Brightness (cd/m ²)	350cd/m ² (Optional: 1000cd/m ²)
	Contrast Ratio	1000:1
	Response Time	5ms
	Backlight	LED Backlight Unit
	Colors	16.7M Colors
	Viewing Angle (H/V)	170°/160°
Touch Screen	Touch Sensor	P-CAP Touch (Optional: Resistive Touch)
	Surface Hardness	7H (3H)
Environment	Operating Temperature	0°C~+50°C
	Storage Temperature	-20°C~+60°C
	Humidity	10%~95% RH (Non-Condensing)
	Waterproof Rating	IP66/NEMA4X 6 Side Waterproof
Power	Power Input	DC12V Input, w/ AC100~240V Power Adapter
	Power Consumption	40W
Mechanical	Mounting	VESA Mount 100 x 100mm
	Dimension/Weight	477.5mm (W) x 402mm (H) x 85mm (D) / 13kgs
	Housing Material / Color	Stainless Steel / Silver
System	Processor/Memory	Intel® Atom™ E3845 Processor / 4GB DDR3
	I/O Interface	COM x 1, USB x 1, LAN x 1, DC in x 1
	Certification	FCC/CE/RoHS Compliance

Specifications subject to change without notice

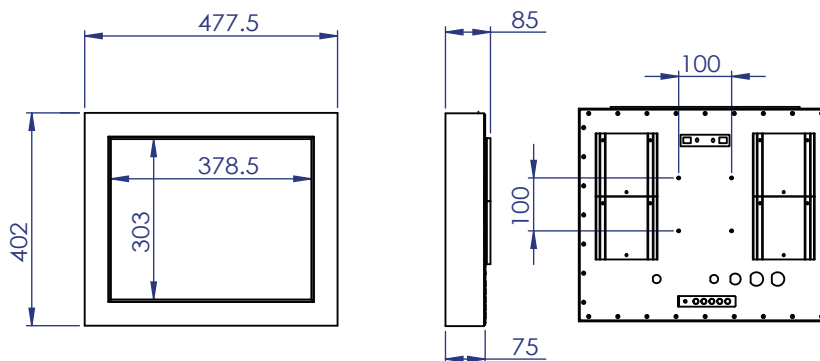
ORDERING CODE

FSP1961-IP66-PCT-E3845-XXXX

- RT = Resistive Touch Screen
- AR = AR Glass
- HB1000 = 1000nits High Brightness
- W = Wide Temperature, -30°~+60°C
- OB = Optical Bonding
- WF = WiFi Module + Antenna

ACCESSORIES

- LAN Cable x 1
- RS232 Cable x 1
- USB Cable x 1
- AC/DC Power Adapter x 1



(Note: Dimension is for AR Glass)

Unit: mm