

FSM2701-PCT

27-inch Industrial LCD Monitor

Features

- 27" Full HD1080 TFT LCD with Resolution up to 1920 x 1080
- 1000nits High Brightness for Sunlight Readable (Optional)
- Wide Temperature Support -30~+60°C (Optional)



SPECIFICATION

Display	Size/Panel Type	27" TFT LCD Panel
	Resolution	1920 x 1080
	Brightness (cd/m ²)	300cd/m ² (Optional: 1000cd/m ²)
	Contrast Ratio	3000:1
	Response Time	12ms
	Backlight	LED Backlight Unit
	Colors	16.7M Colors
	Viewing Angle (H/V)	178°/178°
	Surface Hardness	7H
Touch Screen	Touch Screen Type	P-CAP Touch
	Surface Hardness	7H
Environment	Operating Temperature	0°C~50°C
	Storage Temperature	-20°C~+60°C
	Humidity	5%~95% RH(Non-Condensing)
	Waterproof Rating	5 side IP66 Waterproof (Except I/O Side)
System	OSD	Menu, Auto, On/Off, Up, Down
	I/O Interface	HDMI, DVI, VGA, USB (for Touch), Audio, DC in
	Speaker	2W Speaker x 2
	Power Input	DC12V Input, w/ AC100~240V Power Adapter
	Power Consumption	35W
	Certification	FCC/CE/RoHS Compliance
	Mounting	VESA 75 x 75mm; 100 x 100mm
	Dimension/Weight	640.37mm (W) x 401.26mm (H) x 53.8mm (D) /10.2Kgs

Specifications subject to change without notice

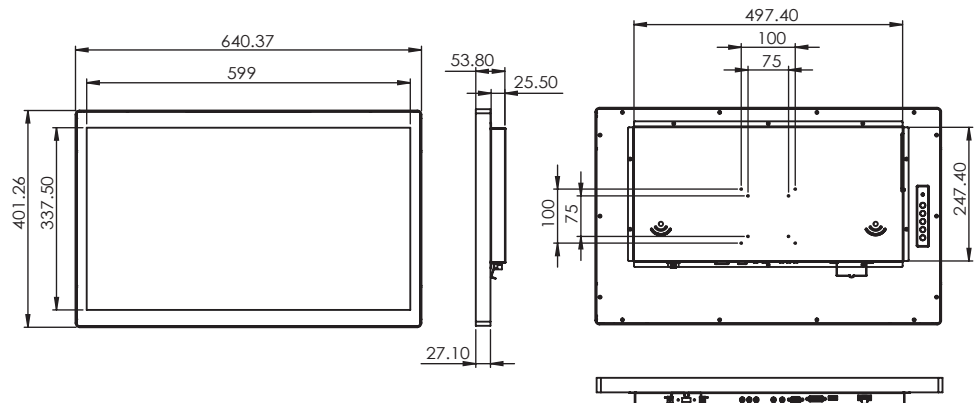
ORDERING CODE

FSM2701-PCT-XXXX

- HB1000 = 1000nits High Brightness
- W = Wide Temperature, -30°~+60°C
- LS = Light Sensor, Auto Dimming
- OB = Optical Bonding

ACCESSORIES

- VGA Cable x 1 (1.8M)
- AC/DC Power Adapter 1 (1.8M)



Unit: mm