

FSM1860

18.5-inch Industrial Monitor

Features

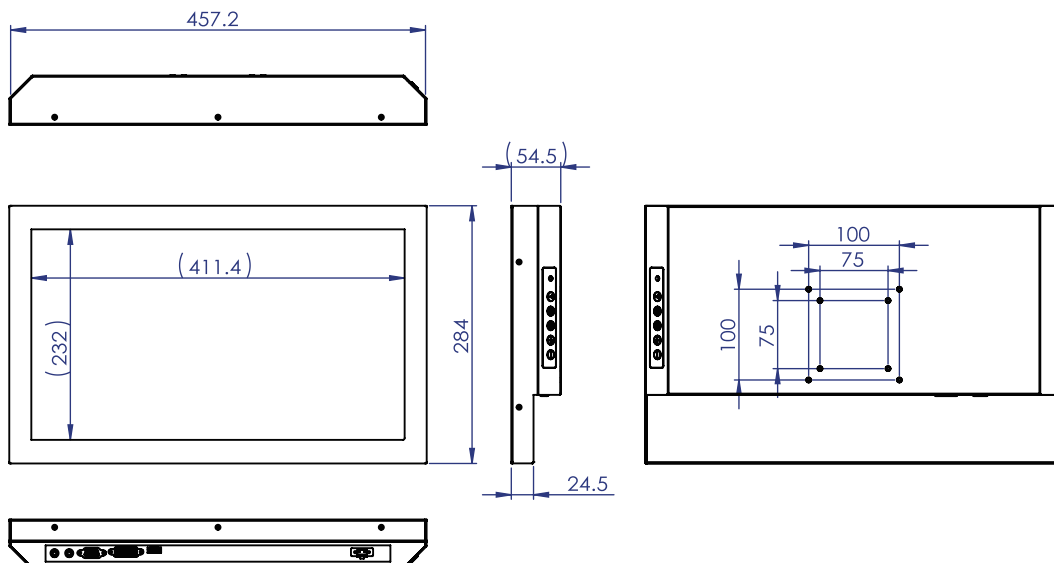
- 18.5" TFT LCD with Resolution 1366 x 768
- 16 : 9 Wide Screen
- Wide Range DC18~36V Power Input
- Solid Design for Shock and Vibration Resistance



SPECIFICATION

Display	Size/Panel Type	18.5" TFT LCD Panel
	Resolution	1366 x 768
	Brightness (cd/m ²)	250cd/m ²
	Contrast Ratio	1000:1
	Response Time	5ms
	Backlight	LED Backlight Unit
	Colors	16.7M Colors
	Viewing Angle (H/V)	170°/160°
	Surface Hardness	7H, Protection Glass
Touch Screen	Touch Screen(Optional)	Resistive Touch
	Surface Hardness	4H
Environment	Operating Temperature	0°C~50°C
	Storage Temperature	-20°C~+60°C
	Humidity	5%~95% RH(Non-Condensing)
System	OSD	Menu, Auto On/Off, Up, Down
	I/O Interface	DVI x 1, VGA x 1, HDMI x 1, Power x 1
	Power Input	DC18~36V Input
	Power Consumption	17W
	Certification	FCC/CE/RoHS Compliance
	Mounting	VESA 75 x 75mm; 100 x 100mm, M4/depth:4.5mm
	Dimension/Weight	457.2mm (W) x 284mm (H) x 54.5mm (D) / 6kgs

Specifications subject to change without notice



Unit: mm